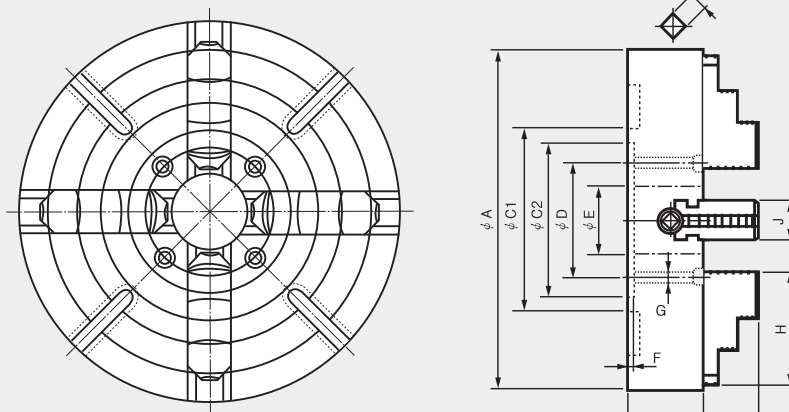


IC

INDEPENDENT CHUCK (SOLID-JAW) (200MM - 400MM)



Independent chuck
(incl. reversible hard jaws)



Dimensions

	A	B	C1	C2	D	E	F	G	H	J	K	L
IC-8	200	75	200	175	155	50	6	M12	75	30	30	10
IC-10	250	80	165	150	125	55	6	M12	90	30	35	10
IC-12	300	90	186	170	140	65	6	M12	100	35	40	12
IC-14	350	90	210	190	160	75	8	M12	110	35	45	12
IC-16	400	100	130	210	180	90	8	M16	120	40	50	14

Specifications

	Max. Static Gripping dia. KN(kgf)	Max. rp.m min ⁻¹ (rp.m)	weight kgf	GD ² N·m ² (kgf·m ²)	(Gripping diameter)	
					(External) φmm	(Internal) φmm
IC-8	1000	1600	14.8	0.3	75	185
IC-10	1400	1600	21	0.6	95	220
IC-12	1600	1400	29.5	1.4	125	265
IC-14	1700	1400	40	2.9	155	310
IC-16	2000	1200	56.5	4.5	190	360

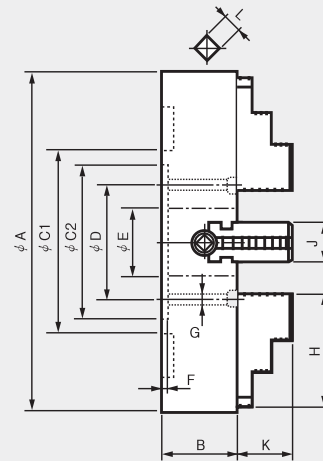
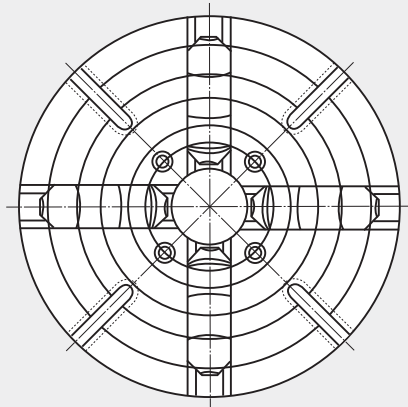
※ Specifications are subject to change without notice.

IC

INDEPENDENT CHUCK (SOLID-JAW) (450MM - 813MM)



Independent chuck
(incl. reversible hard jaws)



Dimensions

	A	B	C1	C2	D	E	F	G	H	J	K	L
IC-18	450	105	230	230	200	100	8	M16	130	40	55	14
IC-20	500	110	272	250	220	110	8	M16	140	45	60	14
IC-24	600	120	330	300	260	120	10	M20	160	50	70	14
IC-28	710	120	382	350	300	130	12	M20	190	55	85	14
IC-32	813	120	440	400	350	140	12	M20	190	55	85	19

Specifications

	Max. Static Gripping dia. KN(kgf)	Max. rpm min ⁻¹ (rpm)	weight kgf	GD ² N·m ² (kgf·m ²)	(Gripping diameter)	
					(External) φmm	(Internal) φmm
IC-18	2000	1200	70	7.0	220	405
IC-20	2200	900	90	11.8	250	450
IC-24	2300	900	150	25.3	320	550
IC-28	2396	900	247	58	385	650
IC-32	2447	600	357	103	485	750

※ Specifications are subject to change without notice.