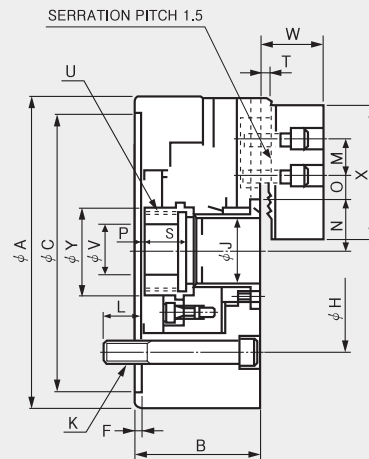
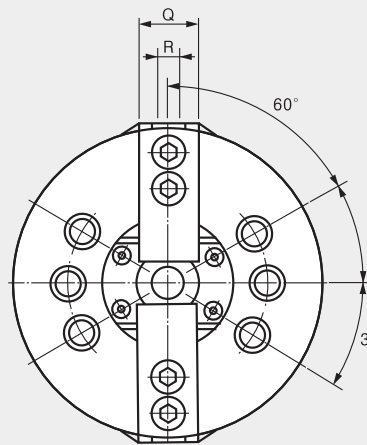


HTH

2-JAW OPEN-CENTER CHUCK



2-jaw wedge-type open-center chuck



Dimensions

	A	B	C(H6)	F	H	J	K	L	M	Nmax.	Nmin.	Omax.	Omin.	Pmax.	Pmin.	Q	R	S	T	Umax.	V	W	X	Y
HTH-06	165	83	140	5	104.8	33	6-M10	14	20	27.5	24.75	25.75	10.75	10	-2	31	12	24	4	M42×1.5	16	35	72	48.8
HTH-08	210	91	170	5	133.4	46	6-M12	20	25	35.7	32	31.5	13.5	3	-13	35	14	30	5	M55×2.0	30	42	95	61
HTH-10	254	100	220	5	171.4	65	6-M16	23	30	50	45.6	32.5	13	-25	-6	40	16	35	5	M75×2.0	45	46	110	84.5
HTH-12	304	110	220	6	171.4	78	6-M16	23	30	58	52.7	48.75	12.75	8	-15	49	18	38	5	M88×2.0	50	53.5	129	96
HTH-15	381	133	300	6	235.0	117.5	6-M20	30	43	82	76.7	43.75	18.25	11	-12	62	22	39	5	M130×2.0	60	70	165	139

※ Blank and machined draw-nuts are available.

Specifications

	Thru Hole Diameter(mm)	Grip Dia. (mm)		Jaw STROKE Diameter. (mm)	PLUNGER STROKE (mm)	Permissible Input Force KN(kgf)	Max. Static Gripping Force KN(kgf)	Max. r.p.m min ⁻¹ (r.p.m)	weight kgf	GD ² N·m ² (kgf·m ²)	Operating Cylinder	Max. Hydraulic Pressure MPa(kgf/cm ²)	KITAKAWA Model
		Max.	Min.										
HTH-06	33	165	12	5.5	12	13 (1326)	34 (3467)	5000	13.4	1.91(0.195)	HYH-1236	1.5 (15.3)	BT-06
HTH-08	46	210	13	7.4	16	20 (2039)	52 (5302)	4000	24.0	5.39 (0.55)	SYH-1546	1.5 (15.3)	BT-08
HTH-10	65	254	25	8.8	19	25 (2549)	66 (6730)	3500	36.5	12.65 (1.29)	SYH-1768	1.5 (15.3)	BT-10
HTH-12	78	304	19	10.6	23	32.5 (3314)	86 (8769)	3000	60.0	28.93 (2.95)	SYH-2078	1.5 (15.3)	BT-12
HTH-15	117.5	381	30	10.6	23	47 (4793)	120 (12236)	2500	115.0	87.28 (8.90)	HYH-2511	1.5 (15.3)	BT-15

※ Maximum Turning Speed is based on actual measurements.

※ Specifications are subject to change without notice.