

HCA

3-JAW CLOSED-CENTER CHUCK WITH ADAPTOR (165MM - 304MM)



3-jaw wedge-type closed-center chuck with adaptor

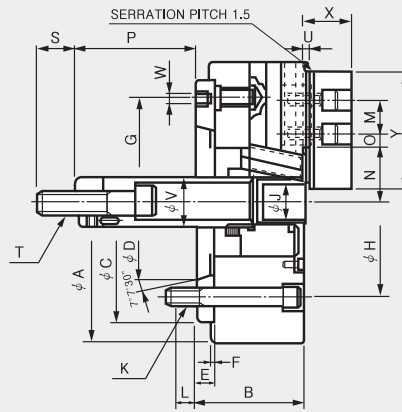
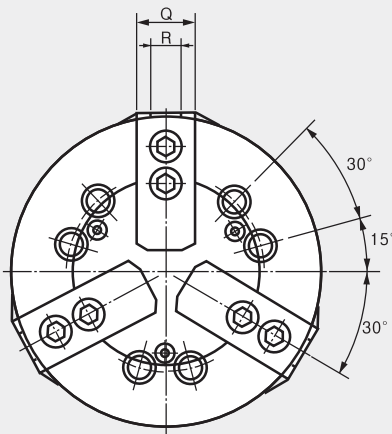


Fig-1

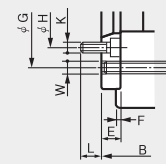


Fig-2

Dimensions

	A	B	C(H6)	D	E	F	G	H	J	K	L	M	Nmax.	Nmin.	Omax.	Omin.	Pmax.	Pmin.	Q	R	S	T	U	V	W	X
HC-06A05	165	84	140	82.563	15	5	116	104.8	21	6-M10	14	20	37.8	33.5	13.75	7.75	83 (85)	64.5 (66.5)	31	12	36	M16×2.0	4	34	3-M6	35
HC-08A06	210	97	170	106.375	17	5	150	133.4	25	6-M12	18	25	46.3	41.9	22.25	11.75	92 (108)	73 (89)	35	14	36	M20×2.5	5	38	3-M6	42
HC-10A06	254	109	220	106.375	25	5	171.4	133.4	34	6-M12	18.5	30	51.1	46.7	30.75	11.25	84 (128)	74 (89)	40	16	36	M20×2.5	5	45	6-M16	46
HC-10A08	254	102	220	139.719	18	5	190	171.4	34	6-M16	25	30	51.1	46.7	30.75	11.25	101 (140)	76 (115)	40	16	36	M20×2.5	5	45	3-M8	46
HC-12A06	304	125	220	106.375	25	6	171.4	133.4	34	6-M12	18	30	61	55.75	48.75	12.75	117 (138)	87 (108)	49	18	36	M24×3.0 (M20×2.5)	5	50	6-M16	53.5
HC-12A08	304	118	220	139.719	18	6	190	171.4	34	6-M16	25	30	61	55.75	48.75	12.75	124 (145)	94 (115)	49	18	36	M24×3.0 (M20×2.5)	5	50	3-M8	53.5

※ The numbers in parentheses in columns P and T are also available upon request.

Specifications

	Spindle Nose No.	Jaw STROKE Diameter. (mm)	PLUNGER STROKE (mm)	Grip Dia. (mm)		Permissible Input Force KN(kgf)	Max. Static Gripping Force KN(kgf)	Max. rp.m min ⁻¹ (rp.m)	weight kgf	GD ² N·m ² (kgf·m ²)	Operating Cylinder		Max. Hydraulic Pressure MPa(kgf/cm ²)	Operating HARD JAW	KITAKAWA Model
				Max.	Min.						Hydraulic	Pneumatic			
HC-06A05	A ₂ -5	8.5	18.5	165	19	18 (1835)	52.5 (5353)	5270	14	1.96 (0.20)	Y-1020R(RE)	AY-1720R	2.6 (26.5)	HB06A1	N-06A05
HC-08A06	A ₂ -6	8.8	19	210	23	25 (2549)	75 (7648)	4760	27	5.79 (0.59)	Y-1225R(RE)	AY-2225R	2.5 (25.5)	HB08A1	N-08A06
HC-10A06	A ₂ -6	8.8	25	254	24	29 (2957)	108 (11013)	4010	40	13.14 (1.34)	Y-1225R(RE)	AY-2225R	2.8 (28.6)	HB10A1	N-10A06
HC-10A08	A ₂ -8	8.8	25	254	24	29 (2957)	108 (11013)	4010	40	12.84 (1.31)	Y-1225R(RE)	AY-2225R	2.8 (28.6)	HB10A1	N-10A08
HC-12A06	A ₂ -6	10.5	30	304	26	41 (4181)	156 (15907)	3380	67	29.81 (3.04)	Y-1530R(RE)	AY-2730R	2.7 (27.5)	HB12A1	N-12A06
HC-12A08	A ₂ -8	10.5	30	304	26	41 (4181)	156 (15907)	3380	66	29.52 (3.01)	Y-1530R(RE)	AY-2730R	2.7 (27.5)	HB12A1	N-12A08

※ Refer to figure 2 for HC-10A06, HC-12A06, HC-15A08, HC-18A08, HC-21A08, HC-21A11, and HC-2411.

※ Specifications are subject to change without notice. ※ Maximum turning speed is based upon actual measurements.

HCA

3-JAW CLOSED-CENTER CHUCK WITH ADAPTOR (381MM - 610MM)



3-jaw wedge-type closed-center chuck with adaptor

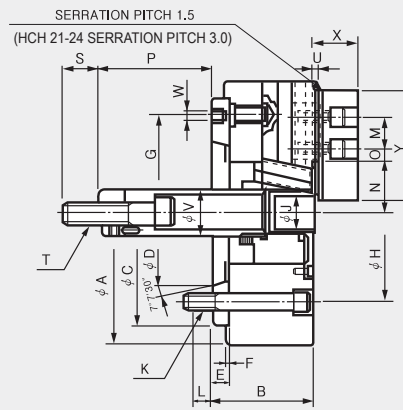
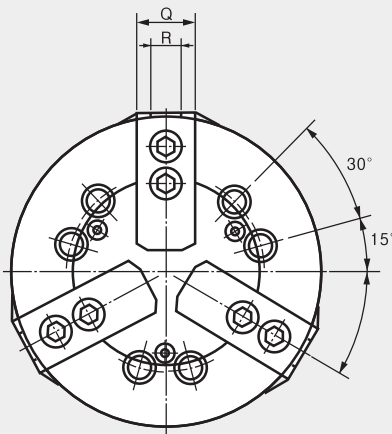


Fig-1

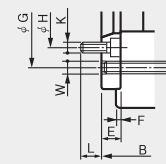


Fig-2

Dimensions

	A	B	C(H6)	D	E	F	G	H	J	K	L	M	Nmax.	Nmin.	Omax.	Omin.	Pmax.	Pmin.	Q	R	S	T	U	V	W	X
HC-15A08	381	141	300	139.719	33	6	235.0	171.4	6-M16	24	43	77.5	69.5	48.75	23.25	71	36	50	25.5	55	M30×3.5	2	60	6-M20	61	
HC-15A11	381	130	300	196.869	22	6	260	235.0	6-M20	33	43	77.5	69.5	48.75	23.25	82	47	50	25.5	55	M30×3.5	2	60	3-M10	61	
HC-18A08	450	141	300	139.719	33	6	235.0	171.4	6-M16	24	43	108	100	48.75	23.25	59	24	50	25.5	55	M30×3.5	2	60	6-M20	61	
HC-18A11	450	130	300	196.869	22	6	260	235.0	6-M20	33	43	108	100	48.75	23.25	70	35	50	25.5	55	M30×3.5	2	60	3-M10	61	
HC-21A11	530	161	380	196.869	42	6	330.2	235.0	6-M20	29	60	86	78	93.5	27.5	55	20	65	25	55	M30×3.5	3	60	6-M22	70	
HC-21A15	530	146	380	285.775	27	6	330.2	330.2	6-M22	34	60	86	78	93.5	27.5	70	35	65	25	55	M30×3.5	3	60	3-M12	70	
HC-24A11	610	161	380	196.869	42	6	330.2	235.0	6-M20	29	60	125	117	93.5	27.5	55	20	65	25	55	M30×3.5	3	60	6-M22	70	
HC-24A15	610	146	380	285.775	27	6	330.2	330.2	6-M22	34	60	125	117	93.5	27.5	70	35	65	25	55	M30×3.5	3	60	6-M12	70	

* The numbers in parentheses in columns P and T are also available upon request.

Specifications

	Spindle Nose No.	Jaw STROKE Diameter. (mm)	PLUNGER STROKE (mm)	Grip Dia. (mm)		Permissible Input Force KN(kgf)	Max. Static Gripping Force KN(kgf)	Max. r.p.m min~(r.p.m)	weight kgf	GD² N·m²(kgf·m²)	Operating Cylinder		Max Hydraulic Pressure MPa(kgf/cm²)	Operating HARD JAW	KITAKAWA Model
				Max.	Min.						Hydraulic	Pneumatic			
HC-15A08	A ₂ -8	16	35	381	71	82 (8362)	249 (25391)	3040	105	76.49 (7.8)	Y-2035R(RE)	-	3.2 (32.6)	HB15N1	N-15A08
HC-15A11	A ₂ -11	16	35	381	71	82 (8362)	249 (25391)	3040	103	73.55 (7.5)	Y-2035R(RE)	-	3.2 (32.6)	HB15N1	N-15A08
HC-18A08	A ₂ -8	16	35	450	133	82 (8362)	249 (25391)	2710	134	97.08 (9.9)	Y-2035R(RE)	-	3.2 (32.6)	HB15N1	N-18A11
HC-18A11	A ₂ -11	16	35	450	133	82 (8362)	249 (25391)	2710	131	95.12 (9.7)	Y-2035R(RE)	-	3.2 (32.6)	HB15N1	N-18A11
HC-21A11	A ₂ -11	16	35	530	62	82 (8362)	273 (27838)	1940	198	201.03 (20.5)	Y-2035R(RE)	-	3.2 (32.6)	HB18B2	N-21A11
HC-21A15	A ₂ -15	16	35	530	62	82 (8362)	273 (27838)	1940	190	194.15 (19.9)	Y-2035R(RE)	-	3.2 (32.6)	HB18B2	N-21A15
HC-24A11	A ₂ -11	16	35	610	152	82 (8362)	273 (27838)	1760	241	289.28 (29.5)	Y-2035R(RE)	-	3.2 (32.6)	HB18B2	N-24A11
HC-24A15	A ₂ -15	16	35	610	152	82 (8362)	273 (27838)	1760	234	276.54 (28.2)	Y-2035R(RE)	-	3.2 (32.6)	HB18B2	N-24A15

* Refer to figure 2 for HC-10A06, HC-12A06, HC-15A08, HC-18A08, HC-21A08, HC-21A11, and HC-2411.

* Specifications are subject to change without notice. * Maximum turning speed is based upon actual measurements.