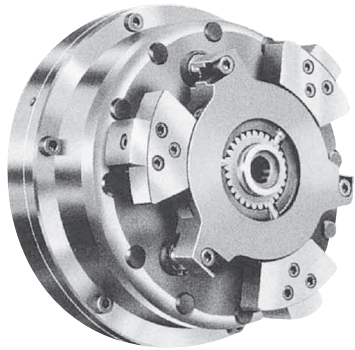
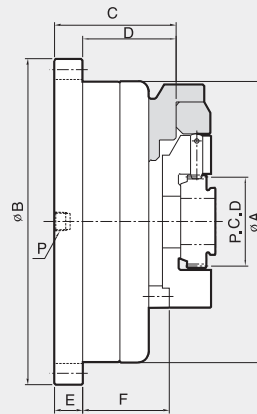
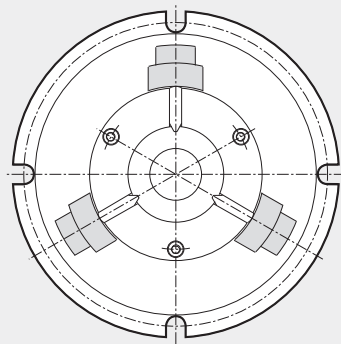


GDP GEAR CHUCK



The GDP chuck, which has the same body as the diaphragm chuck, has three pins that pass through the gear cage holding the workpiece at its pitch line to machine the surface and inner diameter.

Multiple-size gears can be machined / ground by changing the gear cage.



Dimensions

	A	B	C	D	E	F	P
GDP-08	212.9	246	96.8	77.7	19.1	70	1/4
GDP-10	251.0	284	96.8	77.7	19.1	85	1/4
GDP-13	327.2	360	108	88.9	19.1	85	1/4
GOP-17	428.9	476	109.5	90.4	19.1	85	1/4

Specifications

	Clamping Force(kgf) P=3.5Kg/cm ²	No. of Jaw	Jaw Stroke (mm)	Chucking Diameter (mm)	Pressure (kgf/cm ²)	Weight (kg)
GDP-08	720	3	0.25	40~70	4.5	20
GDP-10	1150	3	0.25	70~100	4.5	26.5
GDP-13	2000	3	0.35	100~160	4.5	43
GOP-17	3600	3	0.40	160~250	4.5	89